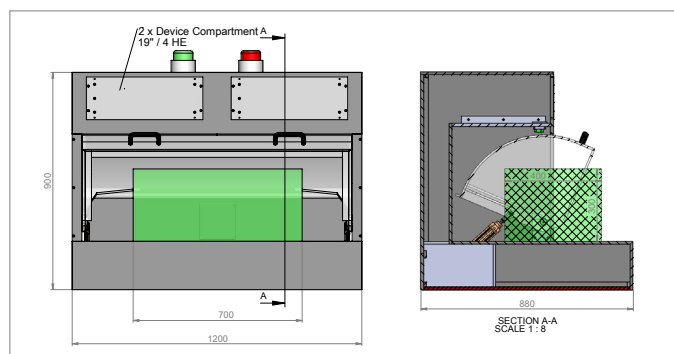
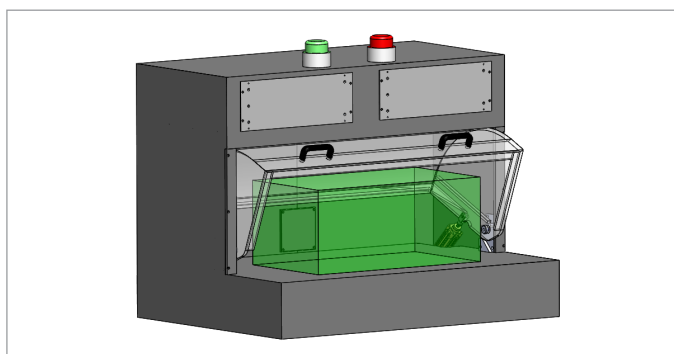


# DATA SHEET

## Accessories: Test hood HB 6000A



Test hood HB 6000A with double width and device compartment 2 x 19" / 4 HU

|                    |   |  |
|--------------------|---|--|
| <b>Description</b> | For test station installations in which a necessary protection against contact is required, test hoods are especially well suited. Through the test hood the DUT cannot be touched during the generation of hazardous voltages. Once the test hood is opened there is a forced switch-off of the dangerous voltage.   |  |
| <b>HB 6000A</b>    | <ul style="list-style-type: none"> <li>• Housing made of PVC (colour: RAL 7011) with device compartment 2 x 19" / 4 HU to house the test devices</li> <li>• Swivelling acrylic glass hood with damper cylinder</li> <li>• Safety switch with positive opening</li> <li>• External dimensions (HxWxD): 900 x 1,200 x 880 mm (35.4 x 47.2 x 34.6 in.)</li> <li>• Maximum DUT dimensions (HxWxD): 300 x 700 x 400 mm (11.8 x 27.6 x 15.7 in.)</li> <li>• Setup CE-compliant (European regulation)</li> </ul> |  |
| <b>Variants</b>    | Test cage with light curtain  | Instead of an acrylic glass hood also a safety light curtain can be used. This version meets the same requirements is, however, more convenient in handling because the test personnel does not need to operate the hood by hand. This is especially important with high quantities.   |
|                    | Test cage with trapdoor   | Test cages with trapdoor are mainly used when ergonomically a high number of DUT with a high weight is to be tested. The trapdoor is pneumatically moved, therefore the operator merely has to press a button, not move any mechanics.   |
|                    | Tandem test hood  | For large quantities so-called tandem test hoods are also a good solution. Here two equal test areas are available. While it is tested in one test area, the other one can be loaded or unloaded at the same time. In a similar test and handling time the result is an optimum utilization of human and machine. Tandem test hoods can be equipped with swivelling acrylic glass hoods, movable test hoods or also with safety light curtain. |

### Versions

| Design types                 | Specialty  | Max. dimensions of DUT (HxWxD) in mm (in.) | Type     |
|------------------------------|--|--|----------|
| Simple test hood             | Device compartment 19" / 5 HU                        | 180 x 410 x 350 (7.1 x 16.1 x 13.8)        | HB 2100A |
| Simple test hood             | Standard   | 200 x 500 x 350 (7.9 x 19.7 x 13.8)        | HB 3400A |
| Extra wide test hood         | Device compartment 19" / 5 HU                        | 350 x 580 x 700 (13.8 x 22.8 x 27.6)       | HB 5000A |
| Extra wide test hood         | Double width, device compartment 2 x 19" / 4 HU      | 300 x 700 x 400 (11.8 x 27.6 x 15.7)       | HB 6000A |
| Extra wide test hood         | Double width, device compartment 2 x 19" / 5 HU      | 300 x 1,200 x 400 (11.8 x 47.2 x 15.7)     | HB 7000A |
| Tandem test hood             | Sliding hood, device compartment 2 x 19" / 3 HU      | 400 x 568 x 580 (15.7 x 22.4 x 22.8)       | TK 6000A |
| Tandem test hood             | Sliding hood   | 450 x 500 x 680 (17.7 x 19.7 x 26.8)       | TK 7000A |
| Test cage with trapdoor      | Trapdoor   | 755 x 800 x 640 (29.7 x 31.5 x 25.2)       | FK 1000A |
| Test cage with light curtain | Light curtain on one side                            | 790 x 640 x 660 (31.1 x 25.2 x 26.0)       | PK 2000A |
| Test cage with light curtain | Double width, displaced foot space                   | 940 x 1,890 x 975 (37.0 x 74.4 x 38.4)     | PK 6000A |
| Test cage with light curtain | Device compartment 19" / 16 HU, displaced foot space | 945 x 1,010 x 800 (37.2 x 39.8 x 31.5)     | PK 7000A |