

# DATA SHEET

## Relays RL 42-h / RL 38-h

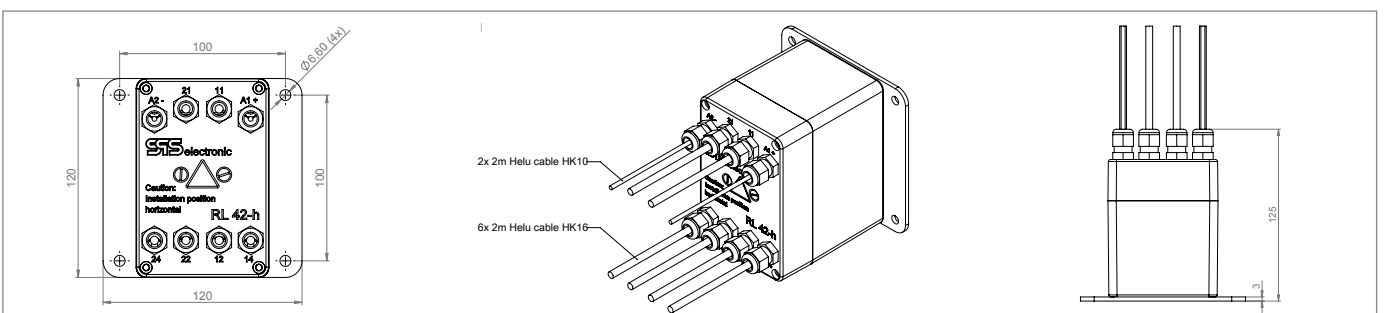


High voltage relay RL 38-h, up to 10,000 V, Double pole single throw



High voltage relay RL 42-h, up to 10,000 V, Double pole double throw

Description		Electro mechanical relays for practical and robust application in system and switch cabinet manufacture. Monostable DC relay with proven technology and almost unlimited life.	
		RL 38-h	RL 42-h
<b>Contacts</b>		double pole single throw	double pole double throw
<b>Field coil</b>	Coil voltage	24 V DC (5 – 55 °C)	
	Coil current	0.20 A (20 °C)	
<b>Coil resistance</b>		115 Ω (20 °C)	
<b>Connections</b>		Free cable ends, 2 m (6.6 ft.) long	
<b>Switching voltage / capacity</b>		For applications up to 10,000 V AC / max. 10,000 VA (ohmic load)	
<b>Test voltage</b>	Contact / field coil	25,000 V DC	
	Contact / contact	25,000 V DC	
	Isolating voltage	10,000 V AC	
<b>Switching current</b>		max. 10 A AC	
<b>Continuous current</b>		max. 30 A AC / DC	
<b>Transition resistance</b>		< 30 mΩ	
<b>Switching frequency</b>		max. 3 / s	
<b>Mechanical switching cycles</b>		> 1 x 10 <sup>6</sup>	
<b>Vibration resistance</b>	10 – 55 Hz/g	5	
<b>Shock strength</b>	g – 11ms	5	
<b>Carrier material</b>		PBT GF30	
<b>Protection system</b>		IP 20	
<b>General data</b>	Dimensions (HxWxD) and weight:	125 x 120 x 120 mm / approx. 2,000 g 4.9 x 4.7 x 4.7 in. / approx. 4.4 lbs.	
	Storage / Operation temp.	-25 up to +40 °C / +5 up to +55 °C	
<b>Fastening</b>		4-hole-mounting panel	



Subject to change and error.

RL 38-h / RL 42-h | EN | 02.2020